

MICROPROCESSOR

BCA 3RD SEMESTER 2020

LECTURE- 5

SUBHADIP MUKHERJEE

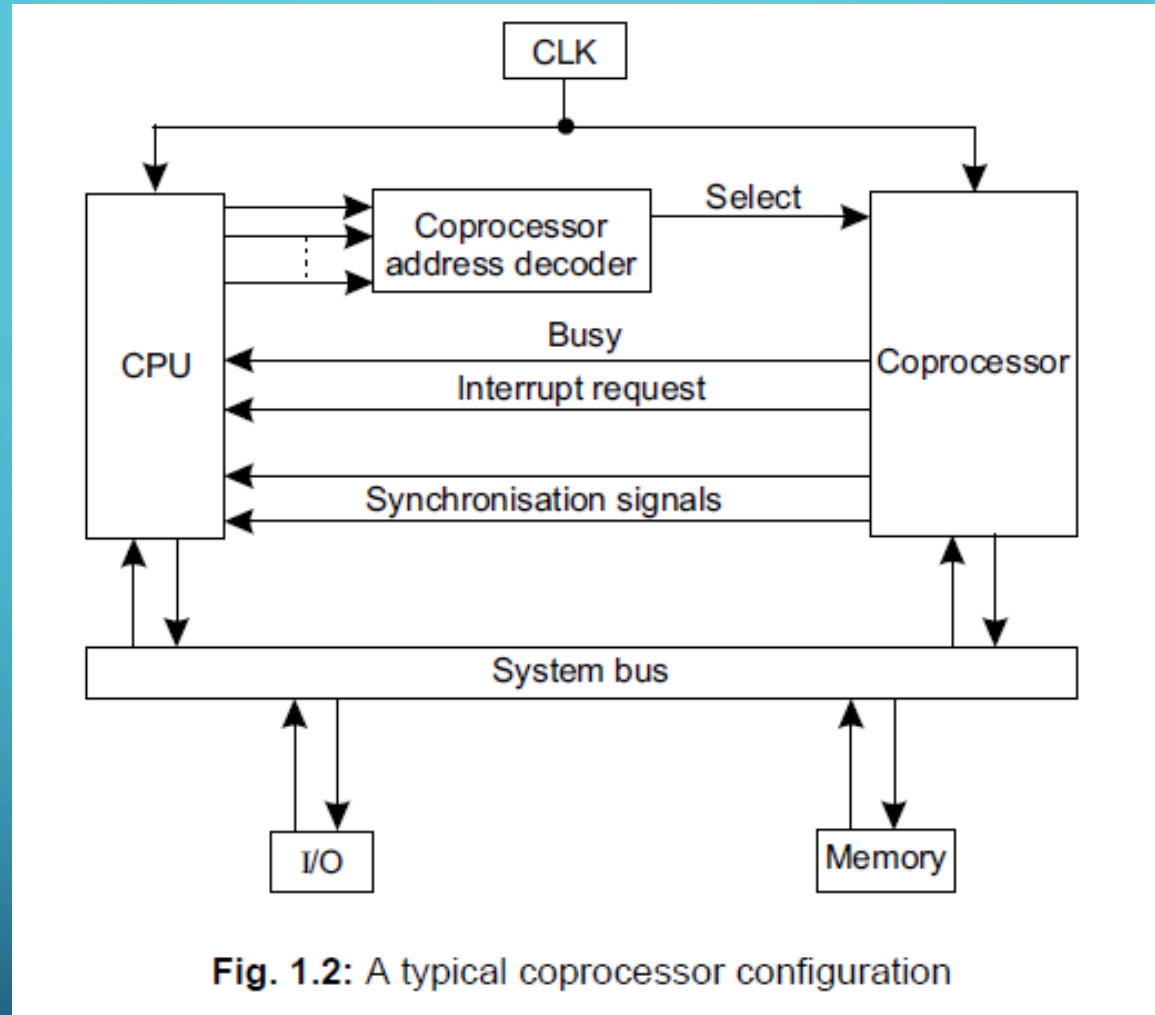
DEPARTMENT OF COMPUTER SCIENCE

KHARAGPUR COLLEGE

COPROCESSOR

- A coprocessor or an arithmetic coprocessor
- Performs operations like exponentiation, trigonometric functions, etc

COPROCESSOR (CONT.)



Subhadip Mukherjee, Department of Computer Science, Kharagpur College

COPROCESSOR (CONT.)

What is coprocessor trap?

Subhadip Mukherjee, Department of Computer Science, Kharagpur College

THE TEMPORARY REGISTERS OF 8085

1. **W and Z registers**
2. **Temporary data register**

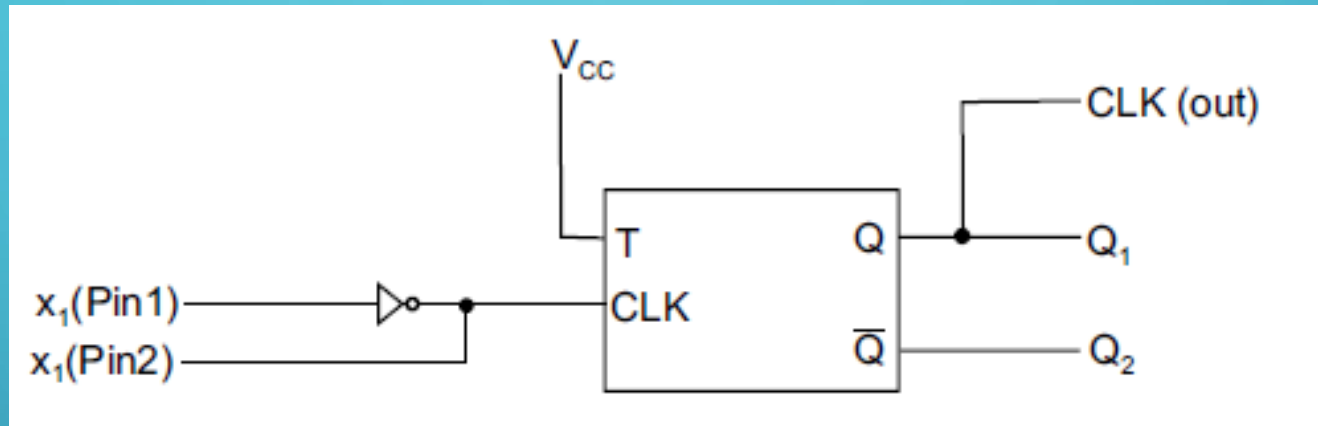
W AND Z REGISTERS

- W and Z are two 8-bit temporary registers, used to hold 8-bit data/address during execution of some instructions.

THE TEMPORARY DATA REGISTER

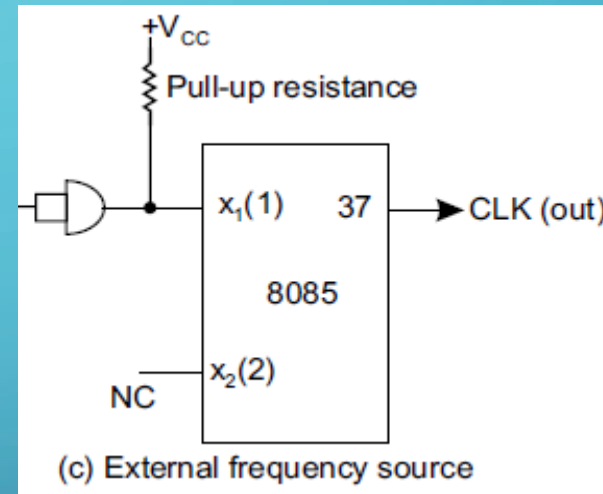
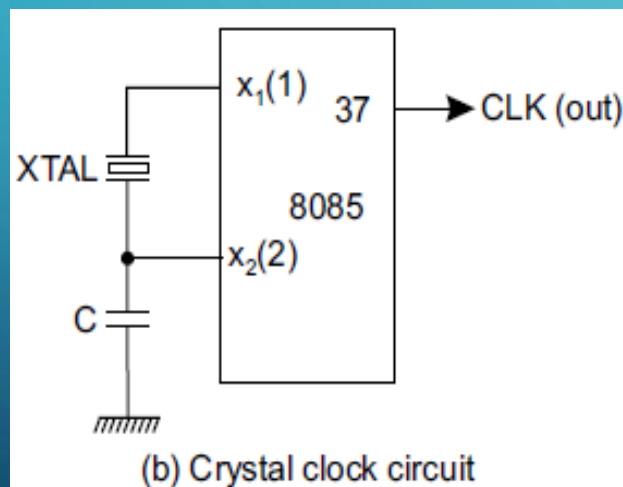
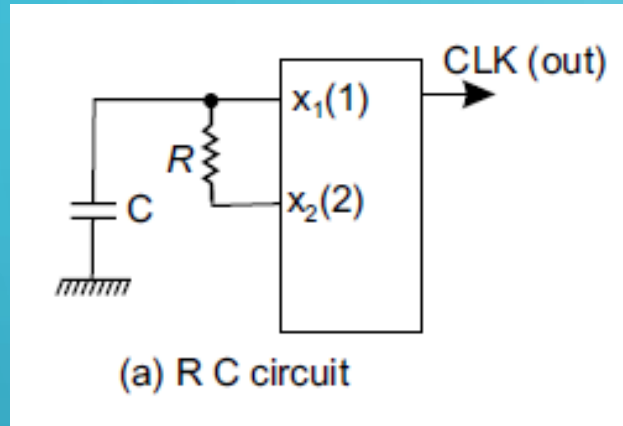
The temporary data register of 8085 is an 8-bit register, which is not available to the programmer, but is used internally for execution of most of the arithmetic and logical operations.

BUILT-IN CLOCK GENERATOR

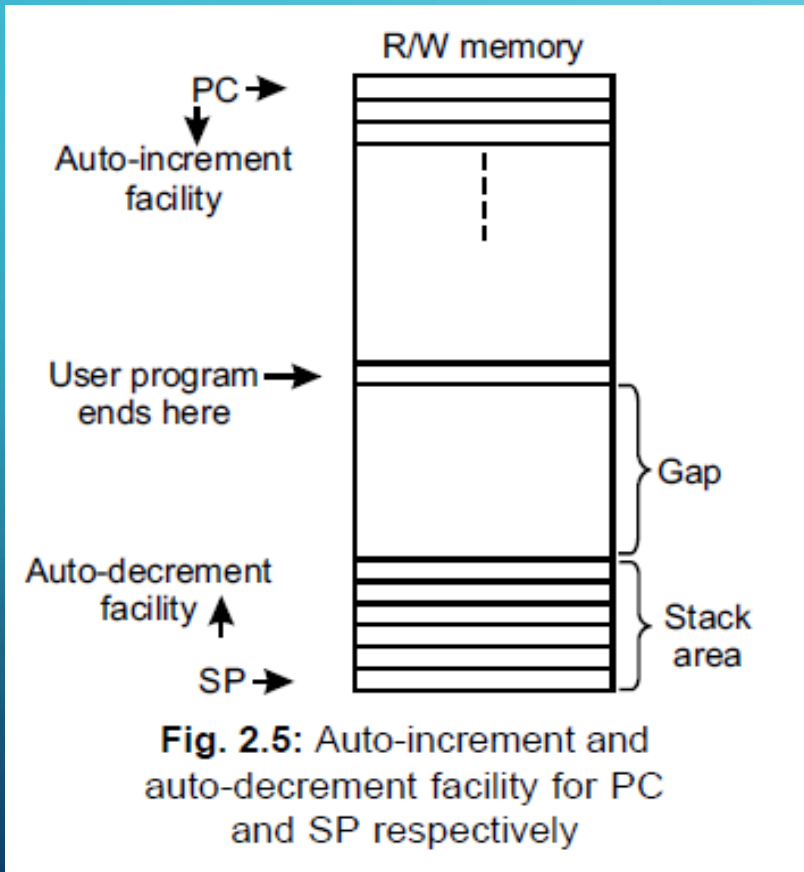


Subhadip Mukherjee, Department of Computer Science, Kharagpur College

BUILT-IN CLOCK GENERATOR (CONT.)



PROGRAM COUNTER AND STACK POINTER



- **PC or Program Counter:**

PC acts as a address pointer (also known as memory pointer) to the next instruction

- **SP or Stack Pointer:**

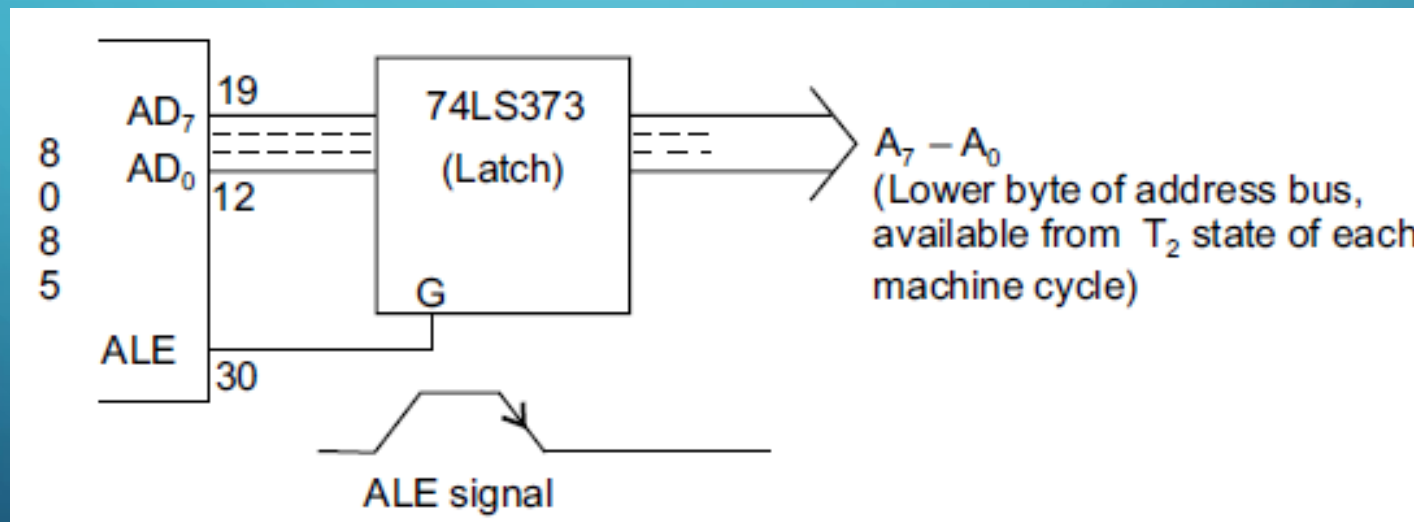
- Stack pointer (SP) is a sixteen bit register which points to the 'stack'.

ADDRESS LATCH ENABLE (ALE)

- *ALE signal is used to demultiplex the lower order address bus (AD0 – AD7).*

Pins 12 to 19 of 8085 are AD0 – AD7

- (A0 – A7) are available during T1 of machine cycle.
- (D0 – D7) are available during T2 of machine cycle.



The background is a gradient of blue, darker at the bottom. In the four corners, there are decorative white and light blue circuit-like patterns consisting of lines and small circles.

THANK YOU

End of Lecture- 5

Subhadip Mukherjee

Department of Computer Science

Kharagpur College